

Classic Series Pivot Shower Door

ASSEMBLY INSTRUCTIONS

Model Numbers

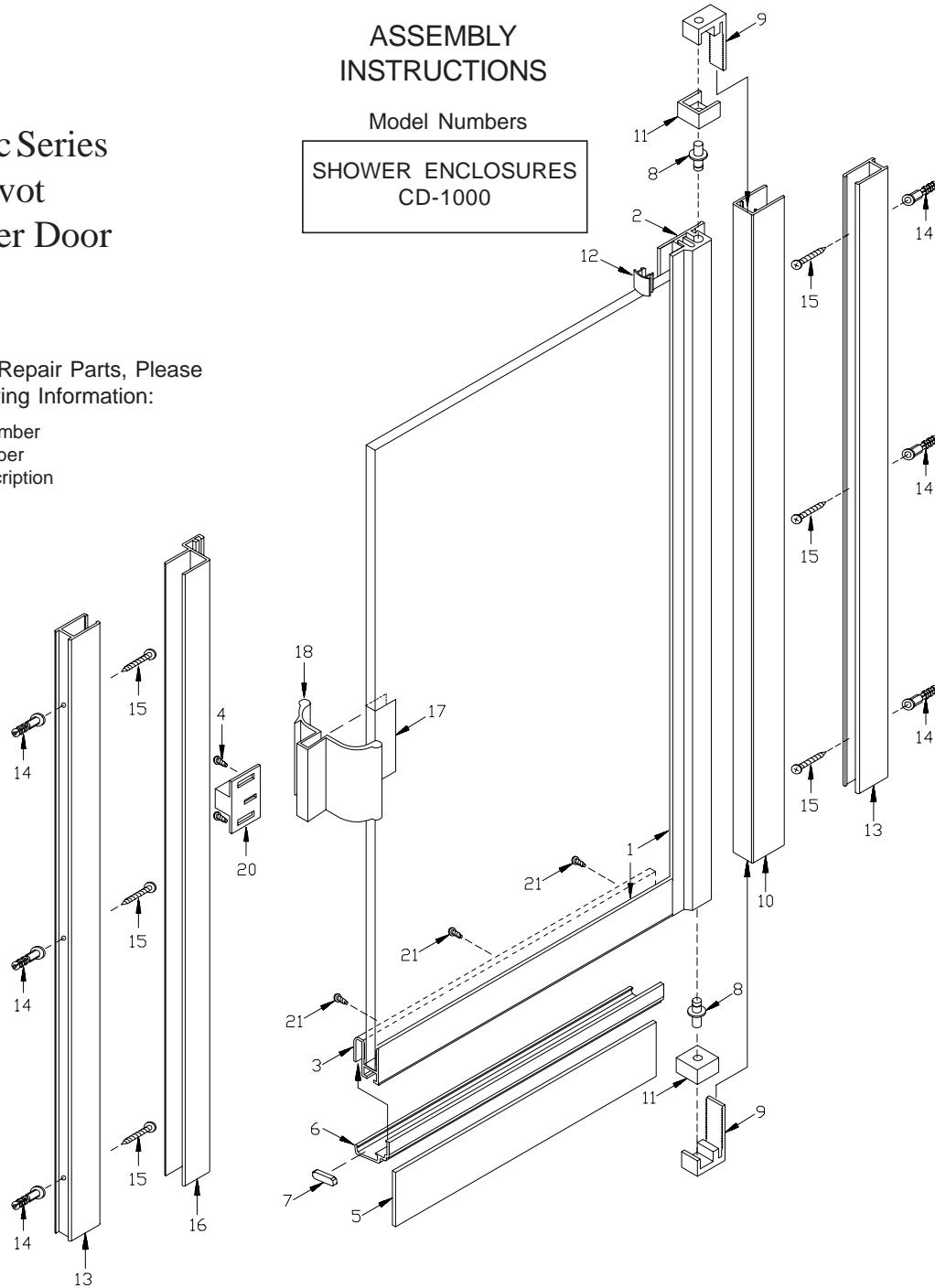
SHOWER ENCLOSURES
CD-1000

When Ordering Repair Parts, Please
Give The Following Information:

1. Model Number
2. Part Number
3. Part Description
4. Color

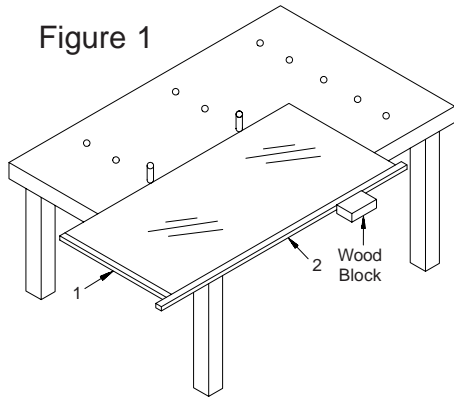
To assemble your shower enclosure, you
will need the following:

- Glazing Block
- Phillips Screwdriver
- Hammer
- Side Cutters



Description	Qty.	Part #	Picture
1. Glazing Vinyl	1	V-903-A	
2. Hinge Rail	1	D11003-FC	
3. Bottom Rail	1	D11002	
4. 6-32 x 3/16" THS Screws	2	6-32 x 3/16	
5. Splash Vinyl	1	V-904	
6. Drip Trough	1	D11508-A	
7. Drip Plug	1	V-905	
8. Hinge Pins	2	D11012	
9. Hinge Clips	2	D11009	
10. Hinge Jamb	1	D11005	
11. Hinge Bushing	2	D11035	
12. Rail Plug	1	V-915	
13. Wall Channels	2	D11006	
14. Wall Anchors	6	HWANCHOR	
15. #8 x 1 1/2" SMS Screws	6	#8 x 1 1/2 SMS	
16. Latch Jamb	1	D11004-F	
17. Handle Vinyl - 3"	1	V-916	
18. Door Pull - 3"	1	D11011	
19. #6 x 3/8" SMS Screws	6	#6 x 3/8 SMS	
20. Box Catch	1	V-930	
21. #6 x 1/4" SMS B Screws	3	#6 x 1/4 SMS	

Figure 1



Note: Assembly of a hinge-right door is shown in Figure 1. For a hinge left door, place bottom rail assembly at opposite end.

1. Lay glass flat, smooth side up on assembly table (Figure 1), supporting glass on far side as shown so hinge rail can be driven into place. Apply glazing channel (1) to one long, and short edge of glass.
2. Hold the hinge rail (2) in place (side with screw heads facing up), against vinyl channel with 3/8" extending beyond end of glass, at both ends (See Figure 2). Using a block of hardwood and a heavy steel hammer, drive hinge rail into place on glass. **Note:** Tighten hinge rail screws to slightly dimple the rail (DO NOT strip).

Note: The tolerances on glass, aluminum and vinyl may cause the hinge rail to fit too tight to drive on. In this case back off each screw one turn and with a small paint brush (a small foam paint brush works well here) apply a very weak solution of liquid soap and water to the inside of the hinge rail. DO NOT use other types of lubricant or allow lubrication to get in between vinyl and glass because this may cause the glass to slide down or out of the hinge rail. After door is glazed, tighten screws in hinge rail to dimple metal 1/32".

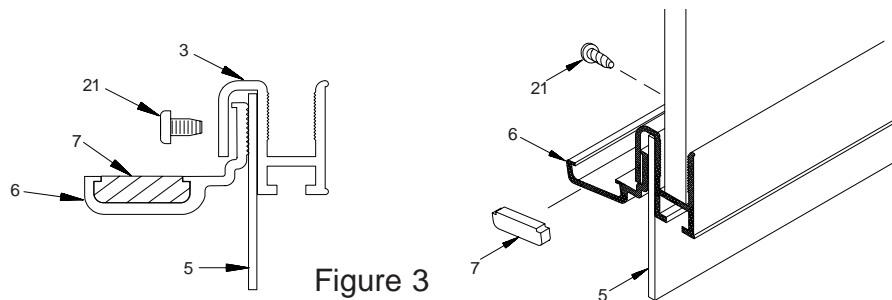


Figure 3

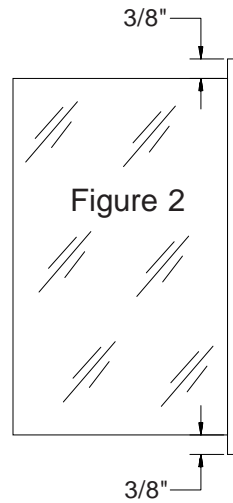


Figure 2

3. Hold bottom rail (3) in place against vinyl channel and drive into place on glass using the block of wood and hammer described above. Start three #6 x 1/4" screws (21) into bottom rail. Insert splash vinyl (5) and drip trough (6) into bottom rail (See Figure 3) and secure by tightening the three #6 x 1/4" screws (21). Keep end of drip trough 3/8" in from latch side of door. Insert drip plug (7) into end of drip channel opposite the hinge rail side.

Note: Drip trough should be installed so it is flush with notch in bottom rail (See Figure 3) and slopes down at the hinge rail side so water will drain back into shower when door is open.

4. Drive hinge pins, the end of pin with id. circle (8) into ends of hinge rail. Assemble hinge clips/ bushings (9 & 11) and then insert into hinge jamb (10) See Figures 4 & 5. Drive one clip all the way in and the other half way in. Set hinge jamb with clips in place over hinge pin and drive protruding clip into place, which secures hinge jamb to hinge rail.
5. Insert hinge rail plug (12) into hinge rail at end opposite the bottom rail and apply a small amount of silicone in end of hinge rail plug so plug cannot slide out (See Figure 6).

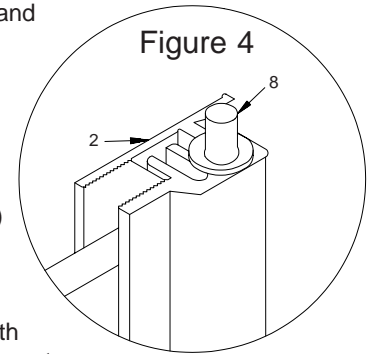


Figure 4

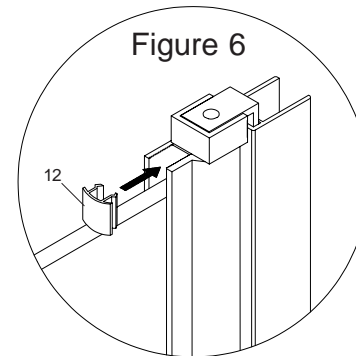


Figure 6

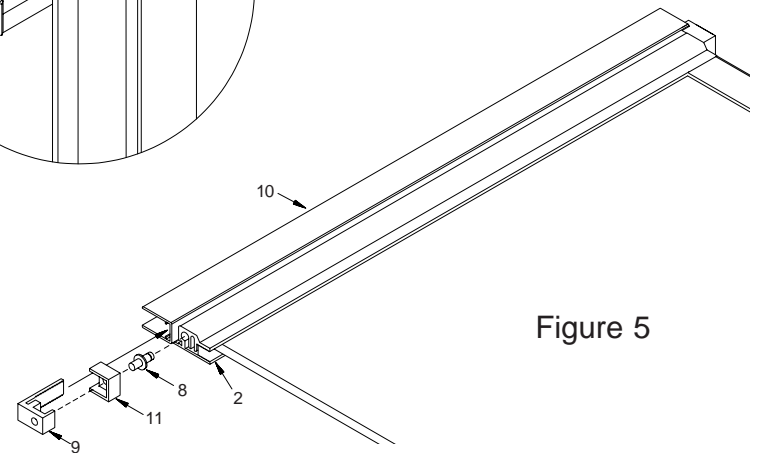


Figure 5

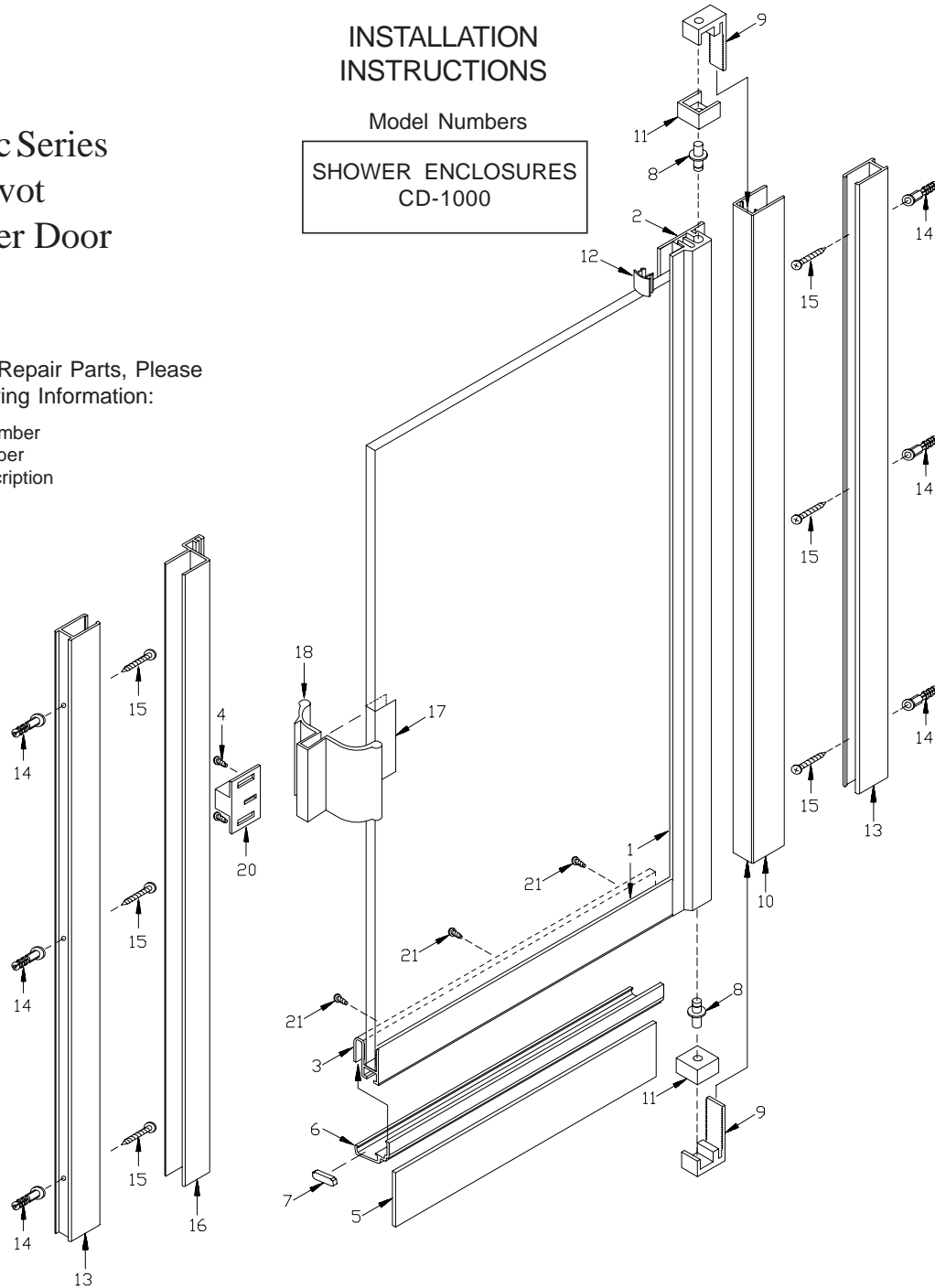
Classic Series Pivot Shower Door

INSTALLATION INSTRUCTIONS

Model Numbers
SHOWER ENCLOSURES
CD-1000

When Ordering Repair Parts, Please
Give The Following Information:

1. Model Number
2. Part Number
3. Part Description
4. Color



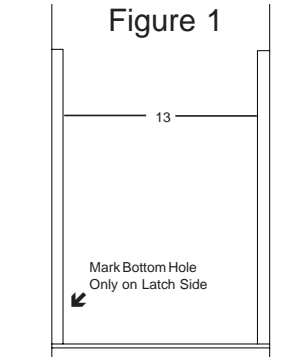
To install your shower enclosure, you will
need the following:

- Level
- #31 Drill Bit
- 3/16" Carbide Drill Bit (for tile walls)
- Phillips Screwdriver
- Silicone
- Hack Saw

Description	Qty.	Part #	Picture
1. Glazing Vinyl	1	V-903-A	
2. Hinge Rail	1	D11003-FC	
3. Bottom Rail	1	D11002	
4. 6-32 x 3/16" THS Screws	2	6-32 x 3/16	
5. Splash Vinyl	1	V-904	
6. Drip Trough	1	D11508-A	
7. Drip Plug	1	V-905	
8. Hinge Pins	2	D11012	
9. Hinge Clips	2	D11009	
10. Hinge Jamb	1	D11005	
11. Hinge Bushing	2	D11035	
12. Rail Plug	1	V-915	
13. Wall Channels	2	D11006	
14. Wall Anchors	6	HWANCHOR	
15. #8 x 1 1/2" SMS Screws	6	#8 x 1 1/2 SMS	
16. Latch Jamb	1	D11004-F	
17. Handle Vinyl -3"	1	V-916	
18. Door Pull - 3"	1	D11011	
19. #6 x 3/8" SMS Screws	6	#6 x 3/8 SMS	
20. Box Catch	1	V-930	
21. #6 x 1/4" SMS B Screws	3	#6 x 1/4 SMS	

General: Wall channels (13) are supplied 67 3/4" long. For door only installation, cut with a hacksaw to 66 5/8" so they will not extend above the hinge and latch jambs.

Figure 1



1. Hold Wall channels (13) in a plumb position and mark hole locations on the hinge side and bottom hole only on the latch side (See Figure 1). Drill holes in wall (using 3/16" carbide drill for tile walls). Insert plastic wall anchors (14) into drilled holes.

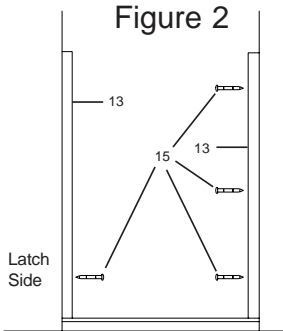
2. Set wall channels in place and secure with #8 x 1 1/2" screws (15) using bottom screw only on latch side (See Figure 2).

Note: Door is adjustable up to 1" (1/2" at hinge jamb and 1/2" at latch jamb).

Example: A D-1000-24 door will fit an opening 24" to 25". The 1/2" adjustment should also be used to correct out-of-plumb conditions. For openings up to 24 1/2" set hinge jamb all the way over the wall channel and adjust latch jamb to meet door. For openings over 24 1/2" adjust hinge jamb out on wall channel to compensate for additional opening width.

3. Set latch jamb (16) in place over latch side wall channel, but DO NOT secure.

4. Set hinge jamb with door attached (10) in place over wall channel. Adjust laterally, plumb to fit opening and secure with #6 x 3/8" SMS screws (19).



5. Apply handle vinyl (17) to edge of glass, centered on handle side. Tap handle (18) in place over handle vinyl, keeping lip for catch to inside of door.

6. Align latch jamb (16) with edge of door glass and mark wall channel (13) location on wall. Remove latch jamb and mark holes on wall. Lean wall channel to one side to allow enough room for drill and drill the remaining two holes on wall. Insert wall anchors (14).

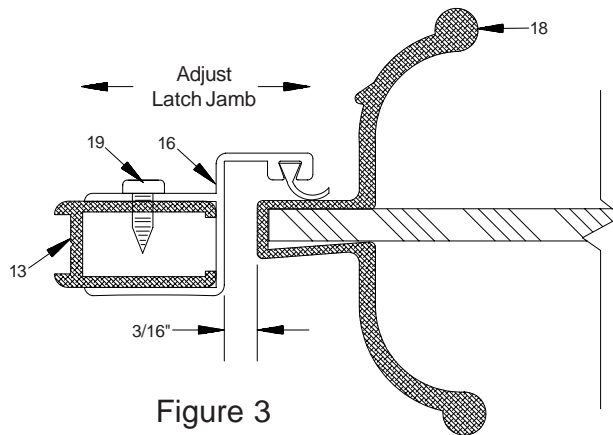


Figure 3

7. Replace wall channel and secure remaining two holes in wall channel using two #8 x 1 1/2" screws (15).

8. Replace latch jamb over wall channel. Close door and adjust latch jamb 3/16" from edge of glass (See Figure 3). Using predrilled holes in latch jamb, drill #31 holes in wall channel and secure with #6 x 3/8" SMS screws (19).

9. Set box catch (20) in place on latch jamb (16) and secure with 6-32 x 3/16" screws (4).

10. Run a bead of silicone full length inside and outside of each wall channel, where channel meets wall.

11. Adjust drip trough (6), up at latch side of door and down at hinge side of door so water will drain into shower when door is opened. Adjust splash vinyl (5) to within 1/8" of curb.

Note: Splash vinyl should not touch curb.

