

High Light Series Continuous Hinge Shower Enclosure

ASSEMBLY INSTRUCTIONS

Model Numbers

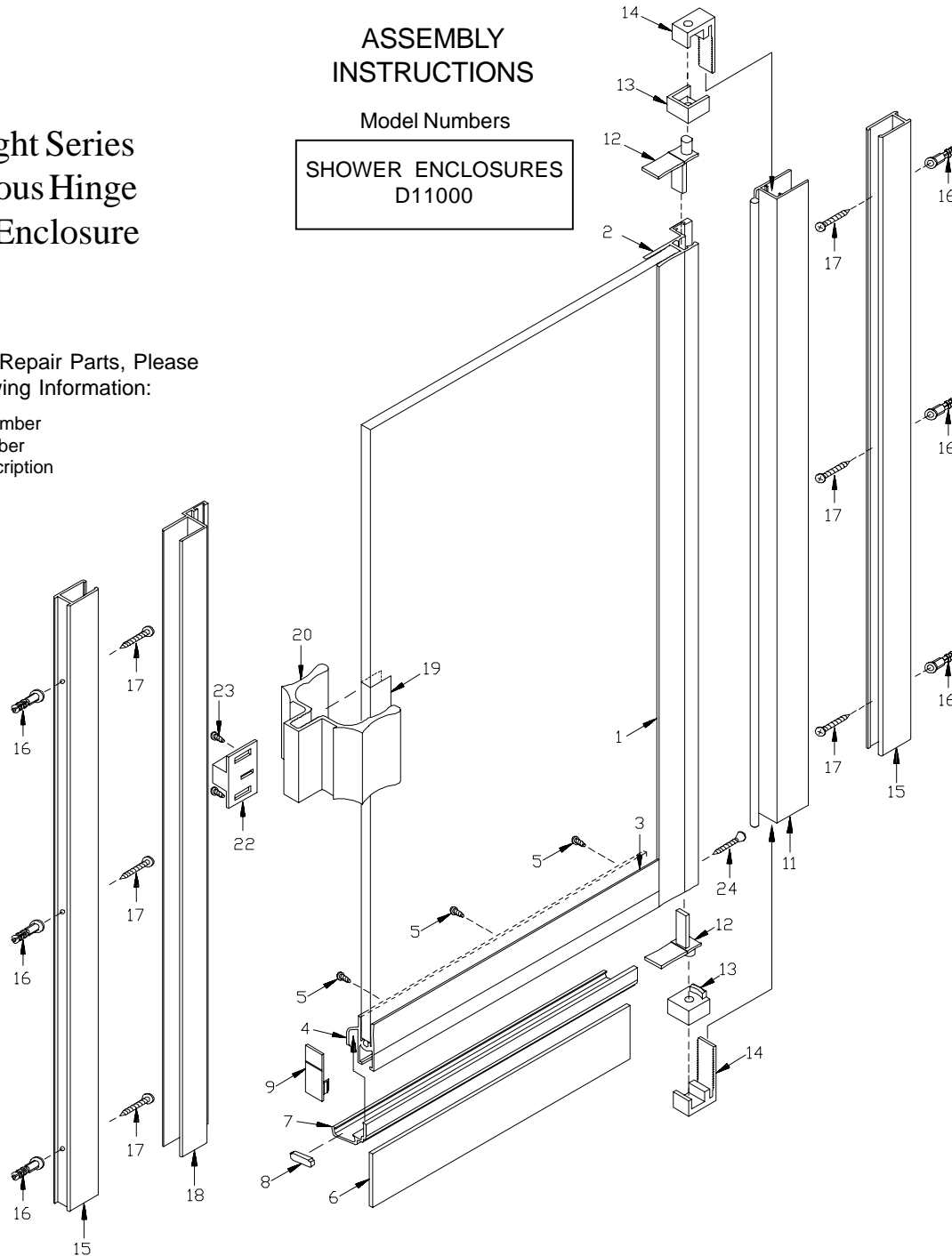
SHOWER ENCLOSURES
D11000

When Ordering Repair Parts, Please
Give The Following Information:

1. Model Number
2. Part Number
3. Part Description
4. Color

To assemble your shower enclosure, you
will need the following:

- Phillips Screwdriver
- Silicone
- Hack Saw
- Glazing Block
- Hammer
- Side Cutters



Description	Qty.	Part #	Picture
1. Glazing Vinyl	1	V-525-C	
2. Hinge Rail with Vinyl	1	D11503-G	
3. Glazing Vinyl	1	V-502	
4. Bottom Rail	1	D11502	
5. #6 x 1/4" SMS B Screws	3	#6 x 1/4SMSB	
6. Splash Vinyl	1	V-524-D	
7. Drip Trough	1	D11508-A	
8. Drip Plug	1	V-905	
9. Bottom Rail End Cap	1	V-534	
10. Hinge Jamb Sleeve Vinyl	1	V-522-C	
11. Hinge Jamb	1	D11505	
12. Hinge Pins	2	V-531-A	
13. Hinge Bushings	2	D11013	
14. Hinge Clips	2	D11009	
15. Wall Channels	2	D11006	
16. Wall Anchors	6	HWANCHOR	
17. #8 x 1 1/2" SMS Screws	6	#8 x 1 1/2 SMS	
18. Latch Jamb w/ V-520 Vinyl	1	D11504-F	
19. 3" Handle Vinyl	1	V-525-C	
20. 3" Door Pull	1	D11011-N	
21. #6 x 3/8" SMS Screws	6	#6 x 3/8 SMS	
22. Box Catch	1	V-930	
23. 6-32 x 3/16" MS Screws	2	6-32 x 3/16 MS	
24. #8 x 1 1/2" FH SMS Screw	1	#8 x 1 1/2 FH SMS	

Figure 1

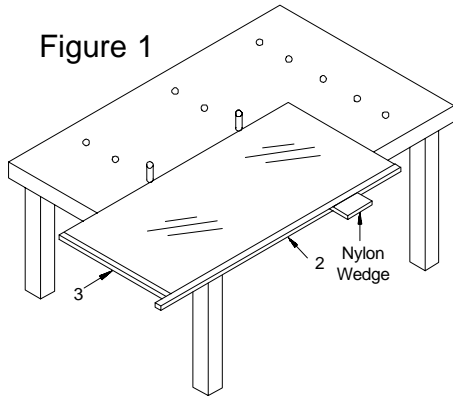
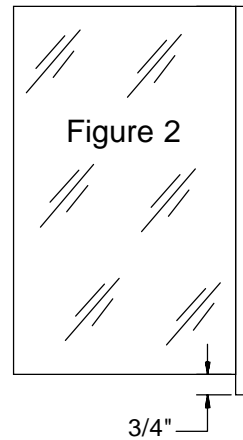


Figure 2



Note: Assembly of a hinge-left door is shown in Figure 1. For a hinge-right door, place bottom rail assembly at opposite end.

1. Lay glass flat, smooth side up on assembly table (Figure 1) and bracing glass on far side as shown so hinge rail can be driven into place. Apply hinge rail glazing channel (1) to edge of glass nearest you. Start vinyl 5/8" up from the bottom of the glass and cut flush with the top of glass.
2. The hinge Jamb and hinge rail (11 & 2) are packaged assembled. Before glazing the hinge rail (2), remove hinge jamb (11) and sleeve (10) from hinge rail. Failure to do so will cause damage to metal while glazing and result in the door hinge binding. Hold hinge rail in place against vinyl with a glazing block and glaze using hammer. Hinge rail should extend 3/4" below bottom of glass (Figure 2) and be straight from end to end.

Note: The end of the glazing block should be 3/16" wide by 1/2" long so it sets inside the back of the hinge rail without touching the outer legs of the hinge rail. This tool will prevent any damage to the hinge rail. If you would like to obtain a factory-made glazing block, you can order one through Customer Service under the designation of

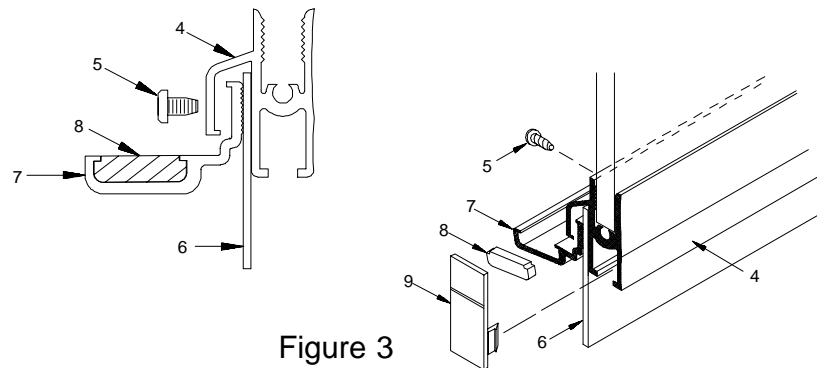


Figure 3

"M. C. Nylon Wedge". The tolerances on the glass, aluminum and vinyl may cause the rail to fit very tight and cause difficulty in driving the rail on. We recommend you use a small paint brush and apply a very weak solution of soap and water to the inside of the rail (DO NOT use other types of lubrication or allow the lubrication to get in between the vinyl and glass because it may cause the glass to slide out of hinge rail).

3. Apply bottom glazing vinyl (3) to the bottom of the glass. Hold bottom rail (4) in place against the bottom glazing channel and drive the bottom rail in place on the glass using the glazing block and a heavy steel hammer. Secure hinge rail to bottom rail using one #8 x 1 1/2" FH SMS screw. Start three #6 x 1/4" SMS B screws (5) into the bottom rail. Insert the splash vinyl (6) and the drip trough (7) into the bottom rail. Splash vinyl should flush off with latch end of bottom rail and butt to offset of the hinge rail at the other end. Flush-off drip trough with notchback on bottom rail at latch side. Push drip trough as far up as possible on latch side and as low as possible on hinge side and secure by tightening the three #6 x 1/4" SMS B screws (5).
4. Insert the drip plug (8) into the end of the drip trough at the handle side. Water should now drain back into the shower when the door is open. Insert the bottom rail end cap (9) in the end of the bottom rail (4) See Figure 3.
5. Set hinge bushing (13) in place over the hinge clip (14) and push the hinge pin (12) into the hinge bushing. Drive the clip with the bushing and pin into the bottom end of the hinge jamb (See Figure 4). Slip the hinge jamb sleeve (10) over ball of hinge jamb. Place the hinge jamb with sleeve, clip, bushings and pin in place inside the hinge rail. (Screw holes in hinge jamb to the inside of door.) Slip the second pin in place in the hinge rail at the top of the door, place the bushing over the clip and drive the clip into the jamb securing the pin to the bushing.

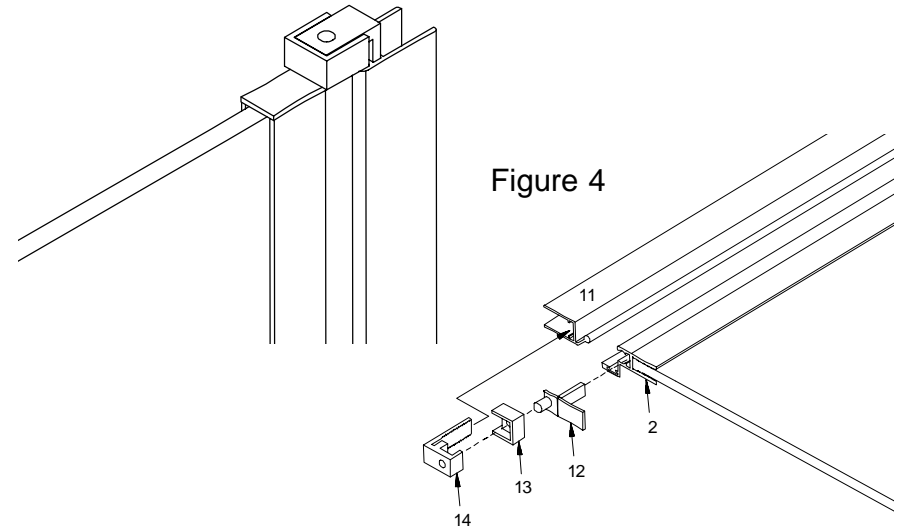


Figure 4

High Light Series Continuous Hinge Shower Enclosure

INSTALLATION INSTRUCTIONS

Model Numbers

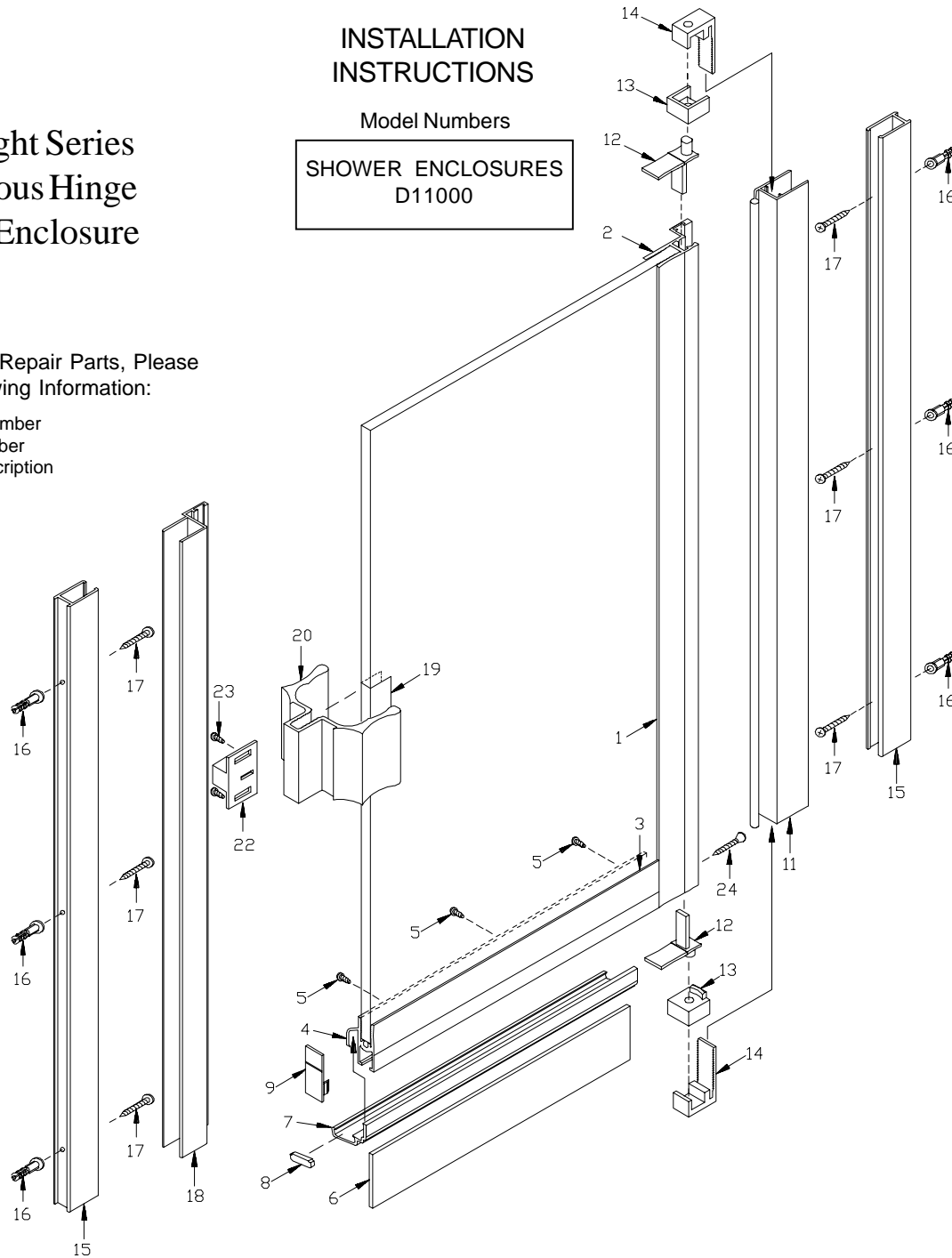
SHOWER ENCLOSURES
D11000

When Ordering Repair Parts, Please
Give The Following Information:

1. Model Number
2. Part Number
3. Part Description
4. Color

To assemble your shower enclosure, you
will need the following:

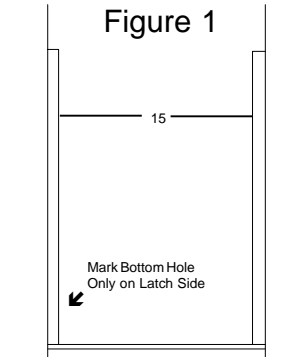
- Phillips Screwdriver
- Silicone
- Hack Saw
- Glazing Block
- Hammer
- Side Cutters



Description	Qty.	Part #	Picture
1. Glazing Vinyl	1	V-525-C	
2. Hinge Rail with Vinyl	1	D11503-G	
3. Glazing Vinyl	1	V-502	
4. Bottom Rail	1	D11502	
5. #6 x 1/4" SMS B Screws	3	#6 x 1/4SMSB	
6. Splash Vinyl	1	V-524-D	
7. Drip Trough	1	D11508-A	
8. Drip Plug	1	V-905	
9. Bottom Rail End Cap	1	V-534	
10. Hinge Jamb Sleeve Vinyl	1	V-522-C	
11. Hinge Jamb	1	D11505	
12. Hinge Pins	2	V-531-A	
13. Hinge Bushings	2	D11013	
14. Hinge Clips	2	D11009	
15. Wall Channels	2	D11006	
16. Wall Anchors	6	HWANCHOR	
17. #8 x 1 1/2" SMS Screws	6	#8 x 1 1/2 SMS	
18. Latch Jamb w/ V-520 Vinyl	1	D11504-F	
19. 3" Handle Vinyl	1	V-525-C	
20. 3" Door Pull	1	D11011-N	
21. #6 x 3/8" SMS Screws	6	#6 x 3/8 SMS	
22. Box Catch	1	V-930	
23. 6-32 x 3/16" MS Screws	2	6-32 x 3/16 MS	
24. #8 x 1 1/2" FH SMS Screw	1	#8 x 1 1/2 FH SMS	

General: Wall channels (15) are supplied 67 3/4" long. For door only installation (with no header or curb), cut with a hacksaw to 66 5/8" so they will not extend above the hinge and latch jambs.

Figure 1

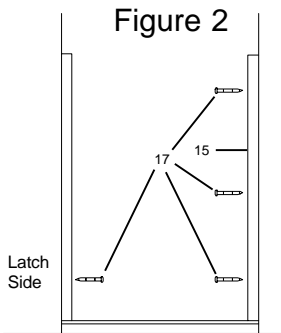


1. Hold wall channels (15) in a plumb position and mark hole locations on the hinge side and bottom hole only on the latch side (See Figure 1). Drill holes in wall (using 3/16" carbide drill for tile walls). Insert wall anchors (16) into drilled holes.

2. Set wall channels in place and secure with #8 x 1 1/2" screws (17) using bottom screw only on latch side (See Figure 2).

Note: Door is adjustable up to 1" (1/2" at hinge jamb and 1/2" at latch jamb).

Figure 2



Example: A D-1000-24 door will fit an opening 24" to 25". The 1/2" adjustment should also be used to correct out-of-plumb conditions. For openings up to 24 1/2", set hinge jamb all the way over the wall channel and adjust latch jamb to meet door. For openings over 24 1/2" adjust hinge jamb out on wall channel to compensate for additional opening width.

3. Set latch jamb (18) in place over wall channel, but **Do NOT** secure.

4. Set hinge jamb with door attached (2 & 11) in place over wall channel. Adjust laterally, plumb to fit opening.

Mark three holes on wall channel through the predrilled holes on hinge jamb. Drill three holes with a #31 drill bit and secure with #6 x 3/8" SMS screws (21).

5. Apply 3" vinyl channel (19) to edge of glass, centered on handle side. Tap handle (20) in place over vinyl channel.

6. Align latch jamb (18) with edge of door glass and mark wall channel (15) location on wall. Remove latch jamb and mark holes on wall. Lean wall

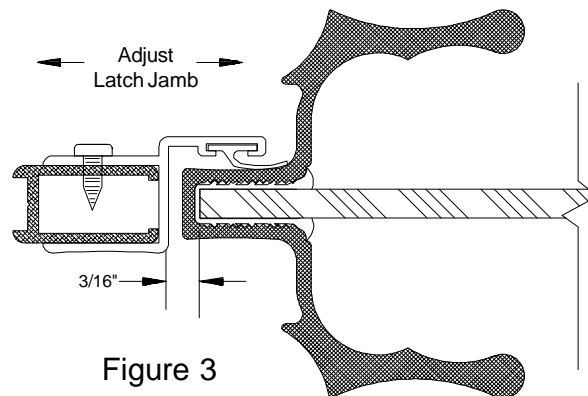


Figure 3

channel to one side to allow enough room for drill and drill the remaining two holes on wall. Insert wall anchors (16).

7. Replace wall channel and secure remaining two holes in wall channel using two #8 x 1 1/2" screws (17).

8. Replace latch jamb over wall channel. Close door and adjust latch jamb 3/16" from edge of glass (See Figure 3). Through the holes provided in the latch jamb, drill three #31 holes in wall channel. Secure latch jamb to wall channel with #6 x 3/8" SMS screws (21).

9. Set catch (22) in place on latch jamb (18) and secure with 6-32 x 3/16" screws (23).

10. Adjust drip trough (7), up at latch side of door and down at hinge side of door so water will drain into shower when door is opened. Adjust splash vinyl (6) to within 1/8" of curb.

Note: Splash vinyl should not touch curb.

11. Clean area to where sealant is to be applied and run a bead of sealant full length inside and outside of each wall channel, where channel meets wall. Allow sealant to cure for 24 hours.

