

High Light Series Frameless Pivot Shower Enclosure

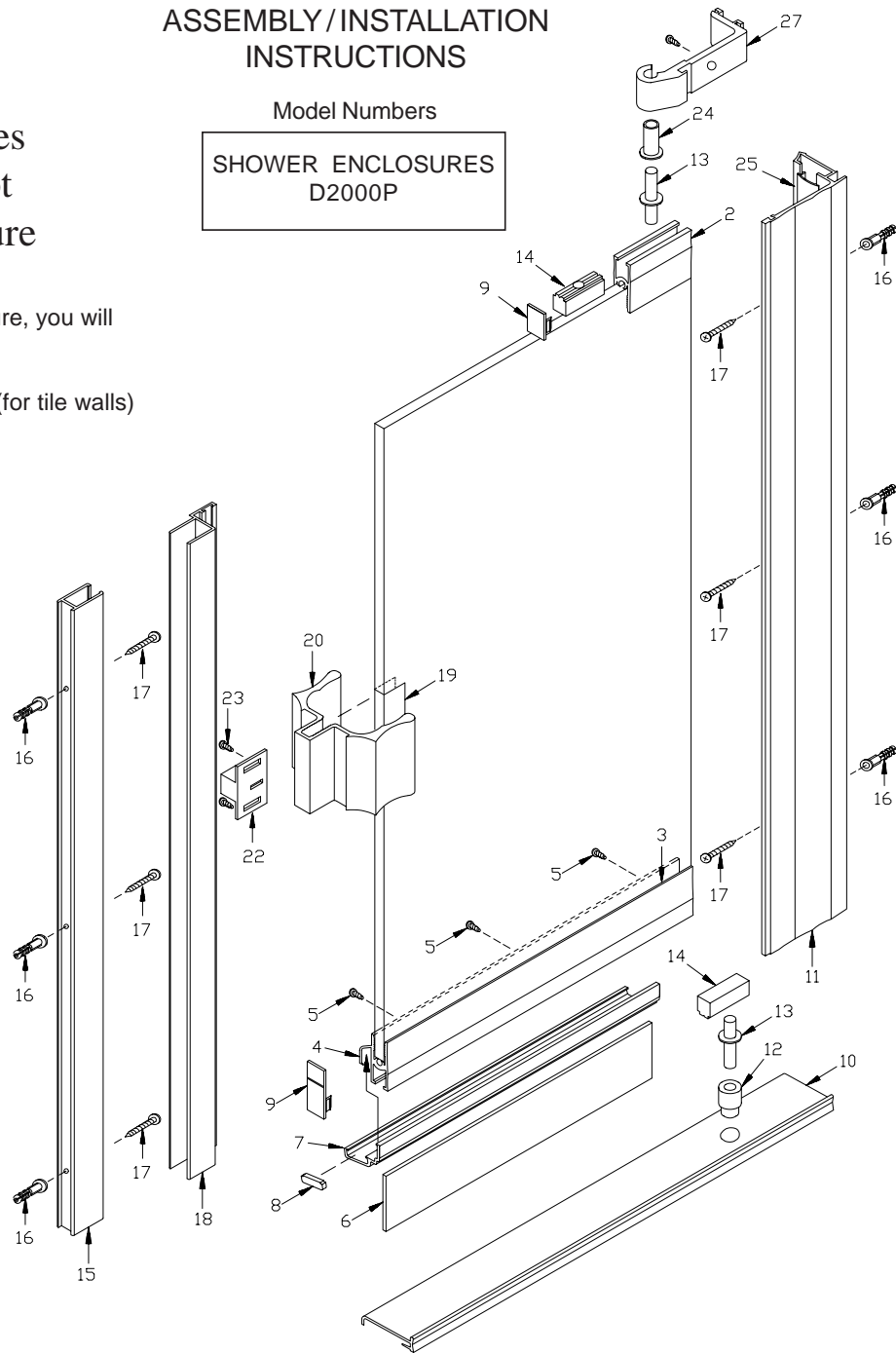
ASSEMBLY/INSTALLATION INSTRUCTIONS

Model Numbers

SHOWER ENCLOSURES
D2000P

To install your shower enclosure, you will need the following:

- 3/16" Carbide Drill Bit (for tile walls)
- #31 Drill Bit
- Phillips Screwdriver
- Silicone
- Hack Saw
- Glazing Block
- Hammer
- Side Cutters
- Level



When Ordering Repair Parts, Please Give The Following Information:

1. Model Number
2. Part Number
3. Part Description
4. Color

| Description | Qty. | Part # | Picture |
|----------------------------------|------|--------------------|---------|
| 1. Glazing Vinyl | 1 | V-502 | |
| 2. Top Pivot Rail | 1 | D11501 | |
| 3. Glazing Vinyl | 1 | V-502 | |
| 4. Bottom Pivot Rail | 1 | D11502 | |
| 5. #6 x 1/4" SMS B Screws | 3 | #6 x 1/4SMSB | |
| 6. Splash Vinyl | 1 | V-524-D | |
| 7. Drip Trough | 1 | D11508-A | |
| 8. Drip Plug | 1 | V-905 | |
| 9. End Rail Caps | 2 | V-534 | |
| 10. Bottom Sill | 1 | D11042 | |
| 11. Pivot Hinge Jamb (w/v-908) | 1 | D11038-F | |
| 12. Bottom Pivot Bushing | 1 | V-536 | |
| 13. Pivot Pins | 2 | D11014 | |
| 14. Rail Pivot Brackets | 2 | D21518 | |
| 15. Wall Channel | 1 | D11006 | |
| 16. Wall Anchors | 6 | HWANCHOR | |
| 17. #8 x 1 1/2" SMS Screws | 6 | #8 x 1 1/2 SMS | |
| 18. Latch Jamb w/ Vinyl | 1 | D11505 | |
| 19. Handle Vinyl - 3" | 1 | V-525-C | |
| 20. Door Pull - 3" | 1 | D11011 | |
| 21. #6 x 3/8" SMS Screws | 3 | #6 x 3/8 SMS | |
| 22. Box Catch | 1 | V-930 | |
| 23. 6-32 x 3/16" MS Screws | 2 | 6-32 x 3/16 MS | |
| 24. Top Pivot Bushing | 1 | V-537 | |
| 25. Pivot Jamb Cover | 1 | V-950 | |
| 26. 5/64" Allen Wrench | 1 | 5/64" allen wrench | |
| 27. Top Pivot Bracket with Screw | 1 | D11040 | |

1. To assemble door, cut bottom rail (4) to length (1/16" longer than glass width), leaving end with notch at latch side. Fit glazing vinyl (3) over bottom end of glass. Position bottom rail in place over glazing vinyl so that it extends 1/32" to 1/16" past edge of glass at latch side (this will allow the end rail cap to fit properly). Using a dead blow hammer or a heavy steel hammer and a block of wood, drive bottom rail over glazing vinyl. Insert splash vinyl (6) and drip channel (7). Secure with #6 x 1/4" SMS (5). Drip channel should flush off with notchback of bottom rail on latch side. The drip channel should be pushed all the way up into groove at latch side and as low as possible on hinge side. Insert end rail cap (9) into bottom rail at latch side (See Figure 1). Insert drip plug (8) in drip channel at latch side. Now moving to top of glass, place 4 1/2" glazing vinyl (1) on glass starting from pivot edge of glass. Notch vinyl per drawing that is included in the bag and silicone. Place top pivot rail (2) over vinyl and drive in place.
2. To install door, cut sill (10) to length leaving hole for bottom pivot bushing (12) at hinge side. Run a 1/4" bead of silicone to the full length of the under side of the sill and where sill meets walls, then set the sill to the outside edge of tile curb.
3. Set the pivot hinge jamb (11) in place on sill at hinge side. Hold plumb and mark screw hole locations on wall. Remove hinge jamb and drill holes in walls using a 3/16" carbide drill bit for tile walls. Insert plastic screw anchors (16) in holes. Set the hinge jamb in place and secure with #8 x 1 1/2" SMS (17). Insert the bottom pivot bushing (12) into the hole in the sill (10).
4. Follow the above procedure to set wall channel (15) on latch side, holding front surface of wall channel 1/16" in from the lip of the sill to allow the door to line up with the sill. Mark holes on wall, drill and secure bottom hole only with one #8 x 1 1/2" SMS screw (17).
5. Set the latch jamb (18) in place over the wall channel, plumb towards center of opening. **DO NOT SECURE.**
6. Measure from latch jamb to center of hinge bushing (see plan view for detail). Deduct 3/16", and measuring from edge of glass set bottom rail pivot bracket (14) so that center of hinge pin hole is at this measurement. Secure with a 5/64" allen wrench provided (26). **ALLEN SCREW MUST BE TOWARDS LATCH SIDE.**
7. Insert top pivot bushing (24) into top pivot bracket (27) and set in place atop the hinge jamb (25).
8. Follow steps in #6 to find location of top rail pivot bracket.
9. At the bottom of the door, tap the short end of the pivot pin (13) into the rail pivot bracket (14), then tap the top pin's short end into the top rail pivot bracket (14). Set the door in place, placing the bottom pivot pin (13) onto the bottom pivot bushing (12), then insert the top pivot pin into the top pivot bracket (27). Now secure the top pivot bracket by tightening the #6 x 1/4" screw.
10. Set the 3" pull vinyl (19) over the edge of the glass. The top edge of the vinyl should be 31" from the top edge of the glass. Tap the door pull (20) over the 3" pull vinyl.

11. With the door in the closed position, align the wall channel (15) with the latch jamb (18) in place against the flat surface of the glass, mark the location and remove the latch jamb. Mark the two remaining holes, drill, insert screw anchors and secure with #8 x 1 1/2" SMS screws. Reset the latch jamb over the wall channel to within 3/16" of the edge of the glass and secure with #6 x 3/8" SMS screws (21).
12. Secure the door catch (22) to the latch jamb with #6-32 x 3/16" screws (23). Adjust to hold door in the closed position.
13. Adjust the splash vinyl (6) to within 1/8" of the sill. Splash vinyl should not drag on sill.
14. Snap the hinge jamb cover (25) in place into the hinge jamb.
15. Cut the top end rail cap (9) at the tear-off line, then insert it into the glass pivot rail (2) at the end facing the latch jamb (18). Run a bead of silicone where the wall channels and the sill meet the tile on the inside and outside of the shower.

