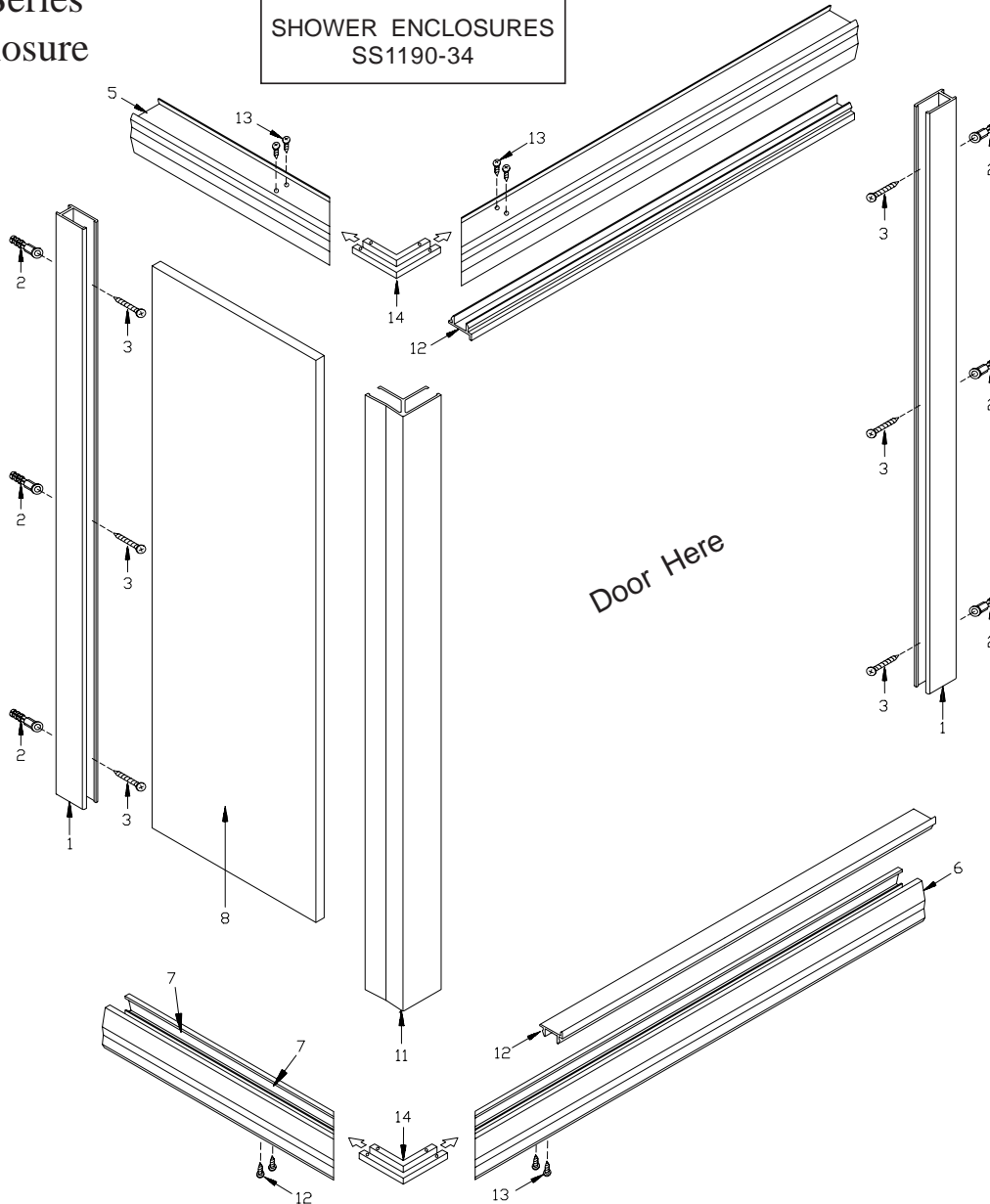


INSTALLATION INSTRUCTIONS

Model Numbers

SHOWER ENCLOSURES
SS1190-34

High Light Series Shower Enclosure



When Ordering Repair Parts, Please
Give The Following Information:

1. Model Number
2. Part Number
3. Part Description
4. Color

To install your shower enclosure, you will
need the following:

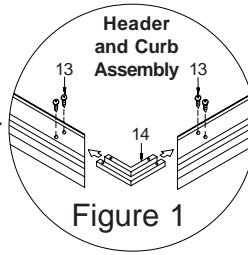
- Level
- #31 Drill Bit
- Glazing Block
- Hack Saw
- 3/16" Carbide Drill Bit (for tile walls)
- Phillips Screwdriver
- Silicone

* Note: Numbers 1, 2 & 3 come with the door stall wrap.

Description	Qty.	Part #	Picture
1. Wall Channels *	2	D11006	
2. Wall Anchors *	8	HWANCHOR	
3. #8 x 1 1/2" SMS Screws *	8	#8 x 1 1/2 SMS	
4. #6 x 3/8" SMS Screws	10	#6 x 3/8 SMS	
5. Headers - Mitered 45 degrees	2	SS-1101	
6. Curbs - Mitered 45 degrees	2	SS-1101	
7. Glass Support Blocks	2	V-902	
8. 90-Degree Glass Panel	1		
9. Vertical Seal Vinyl	4	V-909	
10. Horizontal Seal Vinyl	4	V-906	
11. 90-Degree Post	1	SS-1104	
12. Header and Curb Fillers	2	SS-1102	
13. #6 x 1/4" SMS B Screws	8	#6x1/4SMS	
14. 90-Degree Header / Curb Clips	4	C-90-19/64	

Note: Wall channels (1), wall anchors (2) and screws (3) that are used in stall shower installation are shipped with shower door. Read both door and stall instructions before starting installation.

1. Add 1/2" to centerline measurement and cut curb to length.
2. Assemble curb with clips provided (Figure 1). Using holes provided in header and curb, use a #31 drill bit to drill holes into clips. Secure using eight #6 x 1/4" SMS Screws (13). Set curb in place and mark location on curb leaving curb in place temporarily.
3. Set wall channels into curb and mark holes on wall. Remove wall channel and drill holes into wall using 3/16" drill. Place plastic screw anchors into holes.
4. Run a 1/4" bead of silicone on underside of curb, inside miter, and where the ends of the curb sit on the threshold.
5. Replace curb and silicone where miters are and where curb meets wall. Replace the wall channels and secure using # 8 x 1 1/2 SMS.
6. Place glass support blocks in curb and set 90-degree panel glass in place, tacking at top with about 6" of the vertical seal vinyl. To adjust for wall condition, adjust the panel in or out of the post, making sure that at least 1/4" remains in each channel.
7. Place corner post in place on other edge of glass and tack in place using vertical seal vinyl.
8. Check the chart for the door size, and obtain the range for the curb filler. If the distance between the wall channel and the corner post falls within this range then cut curb filler to size. If the measurement does not fall into the range, then a larger or smaller door is



needed. Cut curb filler to size and snap in place with higher lip to outside of unit.

(Refer to Shower Door Installation Instructions.)

9. Snip excess vinyl from latch jamb, and crimp in place at top and bottom. Holding corner post, slip latch jamb in place over post.
10. Install 3" vinyl channel, centered on edge of door glass and tap handle in place.
11. Set door (with hinge jamb attached) over wall channel. Door with hinge clip should be resting on curb filler.
12. Move the corner post and latch jamb in or out at the top of stationary panel until they align themselves with the glass.
13. **DO NOT MOVE FROM THE POSITION OF THE STATIONARY PANEL GLASS IN STEP #12**, because that determines the measurement of the header over the panel. Plumb the corner post to the door wall and measure from the corner post to the wall, over the door. This determines the measurement of the header over the door. Add 1/4" to each of these measurements and cut header and assemble. Place header in place and recheck alignment. If the alignment is good secure to wall channels and corner post. Snap header filler in place with lip to outside of unit.
14. Complete the installation of the vertical and horizontal seal vinyl.
15. Recheck alignment. If anything moved, tape post to adjust. Adjust latch jamb for good fit. Use a #31 drill and #6 x 3/8" SMS to secure latch to post.
16. Adjust splash vinyl so that approximately 1/8" daylight space remains between bottom of splash vinyl and curb filler with the door in a closed position.
17. Install box catch on latch jamb and adjust for proper tension.
18. Seal along inside and outside edge of metal and tile with silicone.

Header & Curb Fillers			
Min. Filler = Door Size - 1 7/8"			
Max. Filler = Door Size - 7/8"			
Model Number	Min.	Max.	
D-1000-20	18 1/8"	19 1/8"	
D-1000-21	19 1/8"	20 1/8"	
D-1000-22	20 1/8"	21 1/8"	
D-1000-23	21 1/8"	22 1/8"	
D-1000-24	22 1/8"	23 1/8"	
D-1000-25	23 1/8"	24 1/8"	
D-1000-26	24 1/8"	25 1/8"	
D-1000-27	25 1/8"	26 1/8"	
D-1000-28	26 1/8"	27 1/8"	
D-1000-29	27 1/8"	28 1/8"	
D-1000-30	28 1/8"	29 1/8"	
D-1000-31	29 1/8"	30 1/8"	
D-1000-32	30 1/8"	31 1/8"	
D-1000-33	31 1/8"	32 1/8"	
D-1000-34	32 1/8"	33 1/8"	
D-1000-35	33 1/8"	34 1/8"	
D-1000-36	34 1/8"	35 1/8"	

