

INSTALLATION INSTRUCTIONS

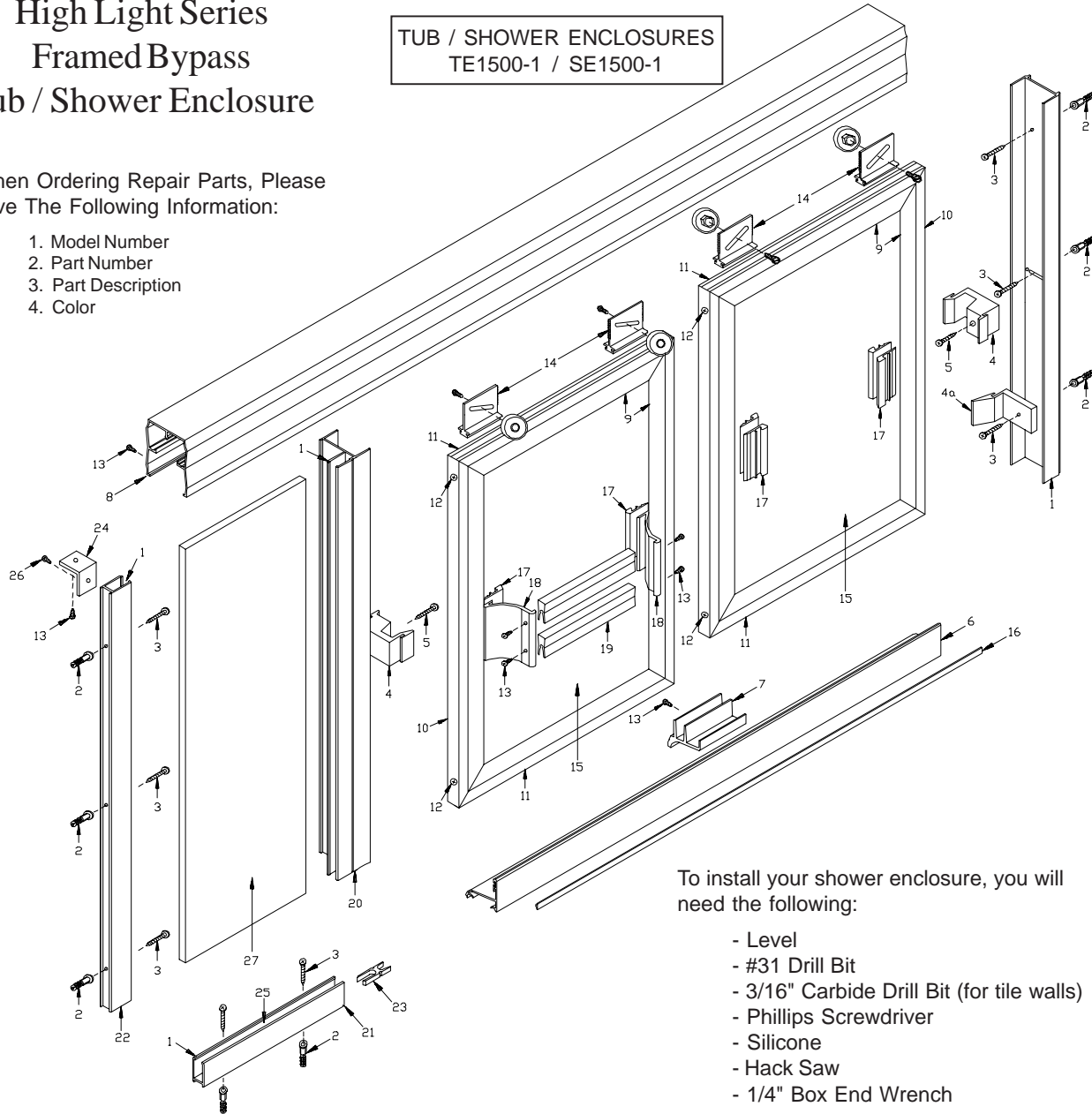
Model Numbers

TUB / SHOWER ENCLOSURES
TE1500-1 / SE1500-1

High Light Series Framed Bypass Tub / Shower Enclosure

When Ordering Repair Parts, Please
Give The Following Information:

1. Model Number
2. Part Number
3. Part Description
4. Color



To install your shower enclosure, you will
need the following:

- Level
- #31 Drill Bit
- 3/16" Carbide Drill Bit (for tile walls)
- Phillips Screwdriver
- Silicone
- Hack Saw
- 1/4" Box End Wrench

Description	Qty.	Part #	Picture
1. Wall Jamb	1	TE-1203	
2. Wall Anchors	9	HWANCHOR	
3. #8 x 1 1/2" SMS Screws	9	#8 x 1 1/2" SMS	
4. Door Bumpers	2	V-924	
4a. Bottom Bumper	1	V-926	
5. 6-32 x 1/2" MS Screws	2	6-32 x 1/2" MS	
6. Bottom Sill (with V-528)	1	TE-1522	
7. Center Guide - 3"	1	V-529	
8. Header	1	TE-1201	
9. Glazing Vinyl		V-542	
10. Vertical Rails	4	TE-1507	
11. Top & Bottom Rails	4	TE-1501	
12. #8 x 1 1/4" LPS Screws	8	#8 x 1 1/4" LPS	
13. #6 x 3/8" SMS Screws	10	#6 x 3/8" SMS	
14. Roller Bracket Assembly	4	TE-1511	
15. Glass Panels	2		
16. Bottom Sill Vinyl Door Guide	1	V-528	
17. Slider Pulls	6	TE-1510	
18. Towel Bar Brackets	2	TE-1512	
19. Towel Bars	1	TE-1205	
20. 180-Degree Post	1	TE-1218	
21. Curb Channel	1	D-1006	
22. Wall Channel	2	D-1006	
23. Post To Curb Key	1	C-180-3/16	
24. Wall Channel-to-Header Clip	1	D-90-15/16	
25. Glass Support Block	1	V-902	
26. #6 x 1/4" SMS B Screws	1	#6x1/4SMSB	
27. Glass Panel	6		
28. Vertical Seal Vinyl	6	V-909	

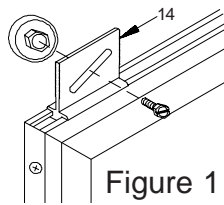


Figure 1

1. Set wall jamb (1) in place on wall, centering bottom of jamb on rim of tub. Hold plumb and mark walls for screw holes.
2. Remove and drill 3/16" diameter holes in walls (use a carbide tipped drill bit for tile walls). Insert plastic wall anchors (2) into holes. Silicone where the wall meets the rim of the tub to seal the bottom of jamb. Set jamb in place and secure to wall with #8 x 1 1/2" screws (3). Secure Bottom Bumper (4a) on showerhead / Inside side with bottom wall jamb screw (3).

3. Cut bottom sill (6) 7/16" smaller than slider opening. Run a bead of silicone full length to the underside of sill (6) and apply silicone to inside of jamb where jamb meets tub. On inside of jamb, run a 1/4" bead of silicone 1 1/4" up the outside leg of wall jamb (See Figure 2). Set sill in place and press firmly to rim of tub. Wipe off any excess silicone before curing.

4. Hold 180-degree post (20) in place over end of guide and measure from post to wall to arrive at curb channel length. Cut curb channel (21) to length and set in place, weep hole(s) to inside. Apply a bead of silicone to underside of curb channel and insert post to curb key (23) into end of curb channel.

5. Set wall channel (22) on curb channel, hold plumb and mark the wall for the screw holes. Remove wall channel, drill holes into the wall and insert screw anchors. Fill curb channel with silicone where curb channel meets wall. Set wall channel in place and secure with #8 x 1 1/2" screws (3). Secure clip (24) to top inside leg of wall channel with #6 x 1/4" screw (26).

6. Place glass support block (25) in center of the curb channel. Set panel (27) into place in curb channel and into wall channel. Using the vertical seal vinyl (28) tack

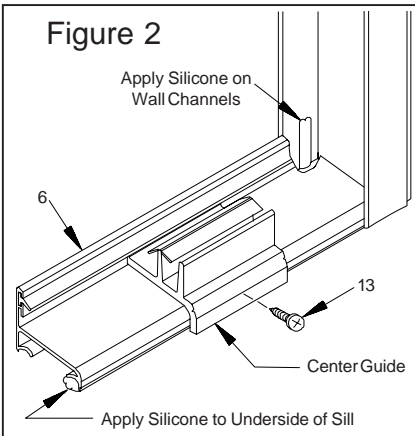


Figure 2

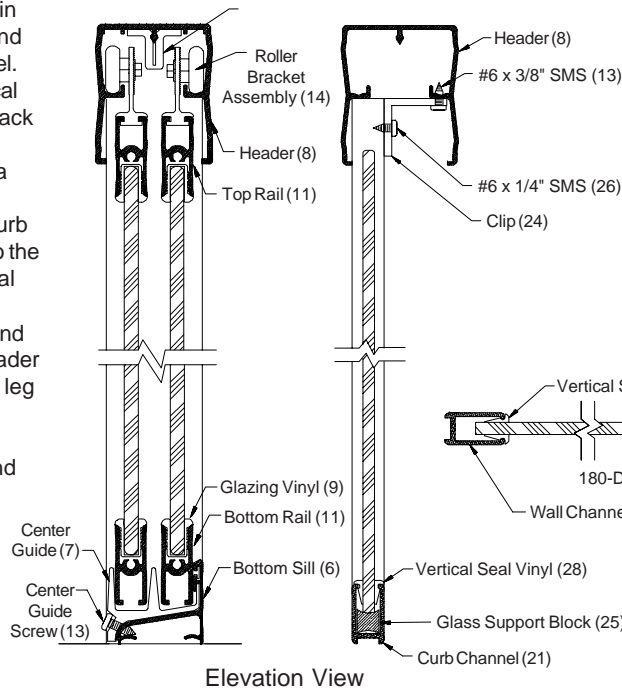
panel in place.

7. Silicone curb between guide and curb channel to provide a seal for the bottom of the post. Fill channel of the post with silicon, opposite the bumper location. Set post in place on curb and over edge of panel. Be sure post to curb key inserts into the channel of the post. Tack post in place at top only with vertical seal vinyl.

8. Cut header (8) to length and set in place over jamb, post and wall channel. Hold post plumb and secure to inside leg of header with a #6 x 3/8" screw (13). Secure header at walls to inside leg of jamb and to clip on the wall channel with #6 x 3/8" screws.

9. Insert vertical seal vinyl (28) into wall channel, post (20) and curb channel on both sides of panel.

10. To set slider glass in place, hold inside slider panel inside of tub or shower pan, insert rollers up into header and lower into place. Next, insert lower end of outside slider in front of inside slider by pushing lower ends far enough in, to allow clearance on inside edge of tub or pan. Avoid roller bracket to roller bracket contact while lifting panel into place.



Elevation View

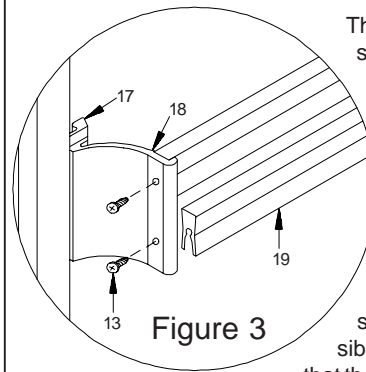


Figure 3

The outside slider will close against the jamb opposite the showerhead.

11. Place center guide (7) to center position on sill. Make sure the center guide is hooked into the slot position on the sill, then drill a hole using a #31 drill bit and fasten center guide to sill with the #6 x 3/8" screw (13) provided.

12. Close panels and adjust to align the vertical edge of panels with jamb and post. Using a 1/4" box-end wrench, loosen the screws on the rollers, but don't remove completely. When screws are loose, adjust panel by sliding the screw in the slot. Note: when screws are loose be sure to support panel so it does not fall and break. Adjust inside slider as low as possible to reduce the gap between bottom of slider and sill taking care that the glass does not drag on the track or center guide. Adjust for

bowed glass by using the slotted hole in the jamb. Secure bumpers to the jambs using 6-32 x 1/2" screws (5).

13. To set the slider pulls (17) and towel bar brackets (18), first remove any masking tape that was used to hold the vinyl in place. Now on the inside slider, push or gently tap the four pulls (17) into place in the 3" gaps left between the two ends of the glazing vinyl (9).

14. Repeat Step #13 on the outside slider making sure that the towel bar brackets (18) are on the outside. Assemble towel bars (19) to towel bar brackets with four #6 x 3/8" SMS screws (13). (See Figure 3.)

15. Silicone inside of shower where jambs meet walls and sill meets rim of tub.

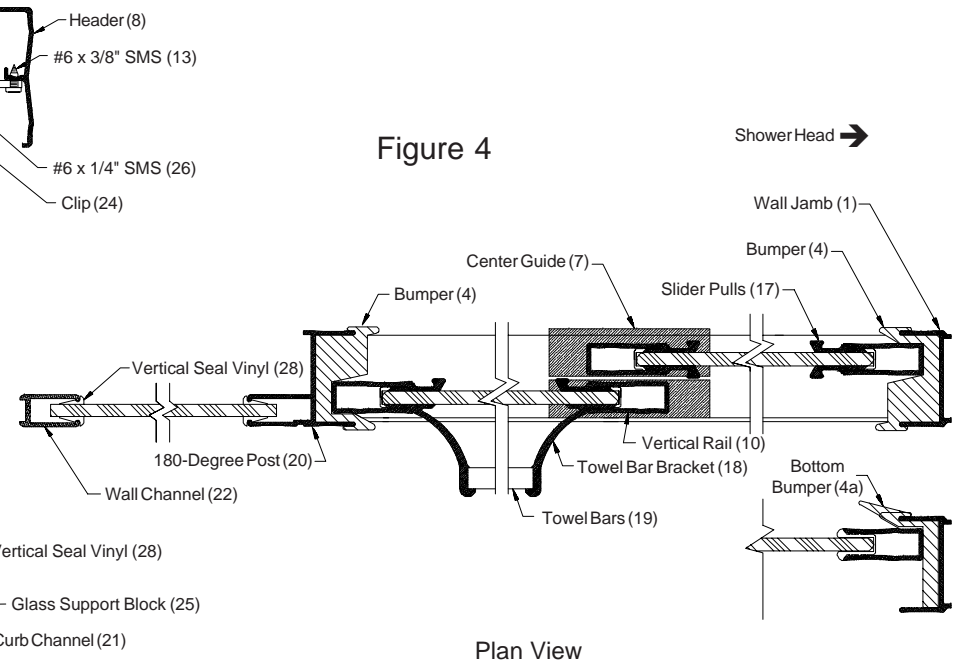


Figure 4

Plan View