

# INSTALLATION INSTRUCTIONS

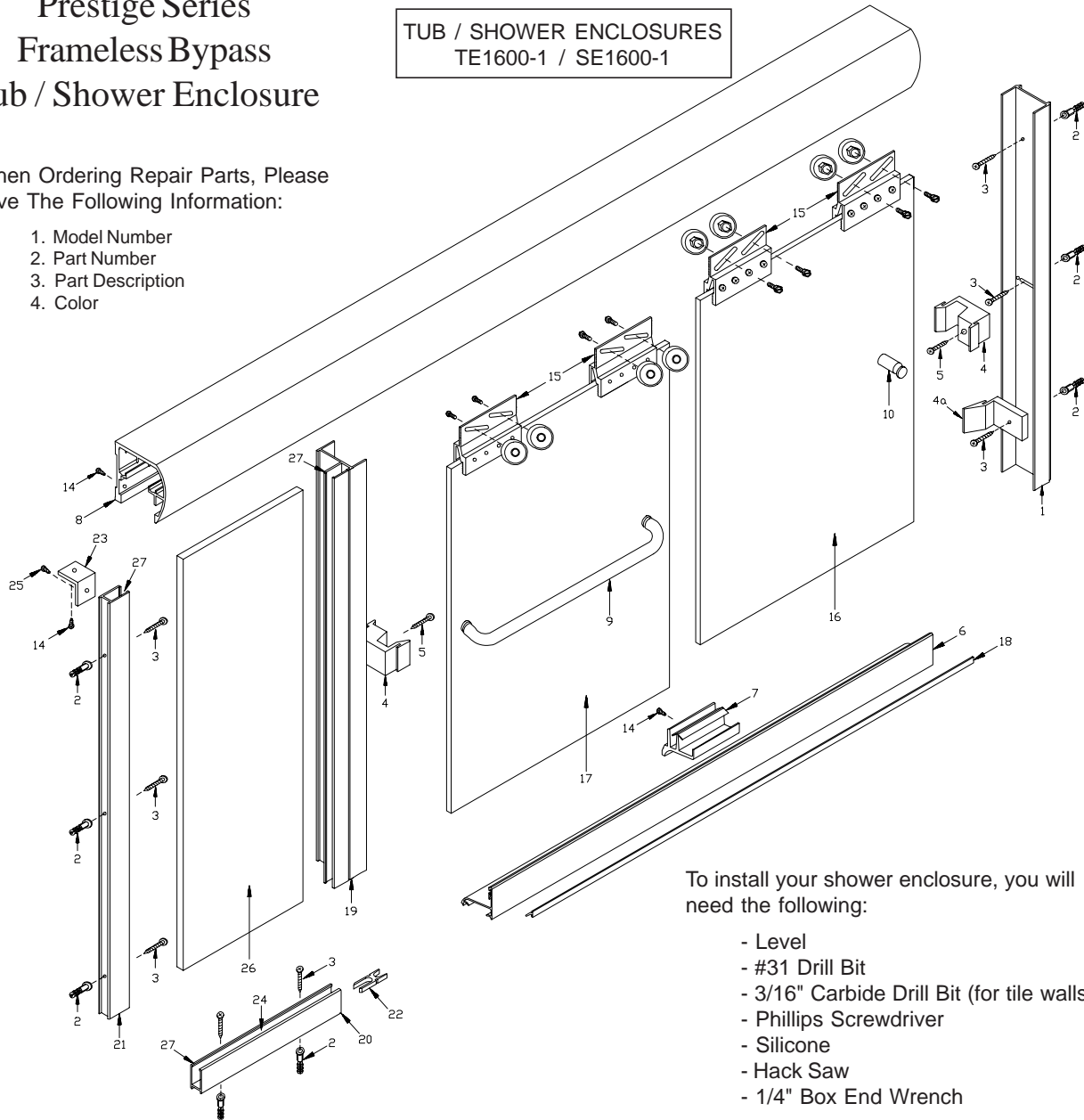
Model Numbers

TUB / SHOWER ENCLOSURES  
TE1600-1 / SE1600-1

## Prestige Series Frameless Bypass Tub / Shower Enclosure

When Ordering Repair Parts, Please  
Give The Following Information:

1. Model Number
2. Part Number
3. Part Description
4. Color



To install your shower enclosure, you will need the following:

- Level
- #31 Drill Bit
- 3/16" Carbide Drill Bit (for tile walls)
- Phillips Screwdriver
- Silicone
- Hack Saw
- 1/4" Box End Wrench

| Description                                      | Qty. | Part #            | Picture |
|--|------|-------------------|---------|
| 1. Wall Jamba                                    | 1    | TE-1203           |         |
| 2. Wall Anchors                                  | 8    | HWANCHOR          |         |
| 3. #8 x 1 1/2" SMS Screws                        | 8    | #8 x 1 1/2" SMS   |         |
| 4. Door Bumpers                                  | 2    | V-924             |         |
| 4a. Bottom Bumper                                | 1    | V-926             |         |
| 5. 6-32 x 1/2" MS                                | 2    | 6-32 x 1/2" MS    |         |
| 6. Bottom Sill (With V-918)                      | 1    | TE-1522           |         |
| 7. Center Guide - 3"                             | 1    | V-530             |         |
| 8. Header  | 1    | TE-1601           |         |
| 9. Tubular Towel Bar                             | 1    | TE-1605           |         |
| 10. Solid Tubular Inside Pull                    | 1    | TE-1607           |         |
| 11. Towel Bar Pull Fastener                      | 3    | 1/4-20            |         |
| 12. Nylon Towel Bar Washers                      | 6    | 3/4" nylon washer |         |
| 13. Nylon Towel Bar Sleeve                       | 3    | 1/4" nylon sleeve |         |
| 14. #6 x 3/8" SMS                                | 4    | #6 x 3/8" SMS     |         |
| 15. Double Roller Bracket Assm. - 3"             | 4    | TE-1208-F         |         |
| 16. Inside 1/4" Glass Panel with one 1/2" hole   | 1    | Inside Slider     |         |
| 17. Outside 1/4" Glass Panel with two 1/2" holes | 1    | Outside Slider    |         |
| 18. Door Guide Vinyl (with TE-1522)              | 1    | V-918             |         |
| 19. 180-Degree Post                              | 1    | TE-1218           |         |
| 20. Curb Channel                                 | 1    | D-1006            |         |
| 21. Wall Channel                                 | 2    | D-1006            |         |
| 22. Post To Curb Key                             | 1    | C-180-3/16        |         |
| 23. Clip   | 1    | D-90-15/16        |         |
| 24. Glass Support Block                          | 1    | V-902             |         |
| 25. #6 x 1/4" SMS B Screws                       | 1    | #6x1/4SMSB        |         |
| 26. Glass Panel                                  | 6    |                   |         |
| 27. Vertical Seal Vinyl                          |      | V-909             |         |

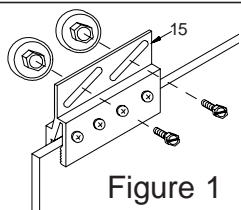


Figure 1

**Note:** Apply a bead of silicone (GE1200) into the open channel of roller bracket before attaching to glass. To assemble roller bracket (15) to glass, tighten screws until surface of roller bracket is depressed 1/32" (28 inchpounds of torque). Allow to cure for 24 hours before hanging sliders.

1. Set wall jamb (1) in place on wall, centering bottom of jamb on rim of tub. Hold plumb and mark walls for screw holes.

2. Remove and drill 3/16" diameter holes in walls (use a carbide tipped drill bit for tile walls). Insert plastic wall anchors (2) into holes. Silicone where

the wall meets the rim of the tub to seal the bottom of jamb. Set jamb in place and secure to wall with #8 x 1 1/2" screws (3). Secure Bottom Bumper (4a) on showerhead / Inside side with bottom wall jamb screw (3).

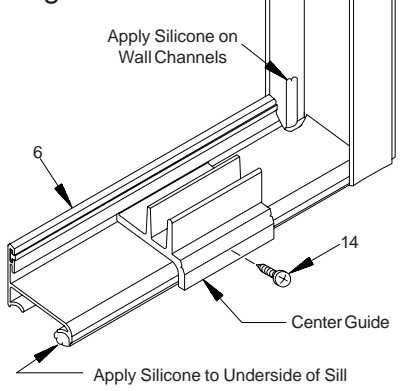
3. Cut bottom sill (6) 7/16" smaller than slider opening. Run a bead of silicone full length to the underside of sill (6) and apply silicone to inside of jamb where jamb meets tub. On inside of jamb, run a

1/4" bead of silicon 1/4" up the outside leg of wall jamb (See Figure 2). Set sill in place and press firmly to rim of tub. Wipe off any excess silicone before curing.

4. Hold 180-degree post (19) in place over end of guide and measure from post to wall to arrive at curb channel length. Cut curb channel (20) to length and set in place, weep hole(s) to inside. Apply a bead of silicone to underside of curb channel and insert post to curb key (22) into end of curb channel.

5. Set wall channel (21) on curb channel, hold plumb and mark the wall for the screw holes. Remove wall channel, drill holes into the wall and insert screw anchors. Fill curb channel with silicone where curb channel

Figure 2



meets wall. Set wall channel in place and secure with #8 x 1 1/2" screws (3). Secure clip (23) to top inside leg of wall channel with #6 x 1/4" screw (25).

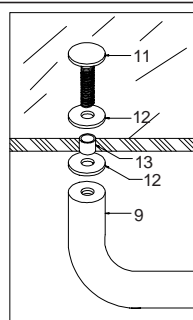
6. Place glass support block (24) in center of the curb channel. Set panel (26) into place in curb channel and into wall channel. Using the vertical seal vinyl (27) tack panel in place.

7. Silicone curb between guide and curb channel to provide a seal for the bottom of the post. Fill channel of the post with silicon, opposite the bumper location. Set post in place on curb and over edge of panel. Be sure post to curb key inserts into the channel of the post. Tack post in place at top only with vertical seal vinyl.

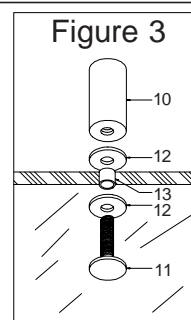
8. Cut header (8) to length and set in place over jamb, post and wall channel. Hold post plumb and secure to inside leg of header with a #6 x 3/8" screw (14). Secure header at walls to inside leg of jamb and to clip on the wall channel with #6 x 3/8" screws.

9. Insert vertical seal vinyl (27) into wall channel, post and curb channel on both sides of panel.

10. To set slider glass in place, hold inside slider panel (16) inside of tub or shower pan, insert rollers up into



Outside Door Panel



Inside Door Panel

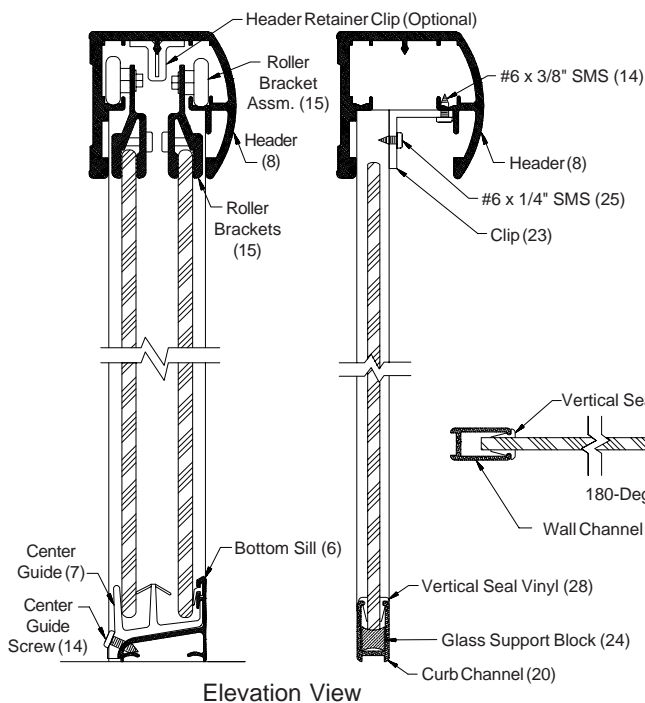
Figure 3

header and lower into place. Next, insert lower end of outside slider (17) in front of inside slider by pushing lower ends far enough in, to allow clearance on inside edge of tub or pan. Avoid roller bracket to roller bracket contact while lifting panel into place. The outside slider will close against the jamb opposite the showerhead.

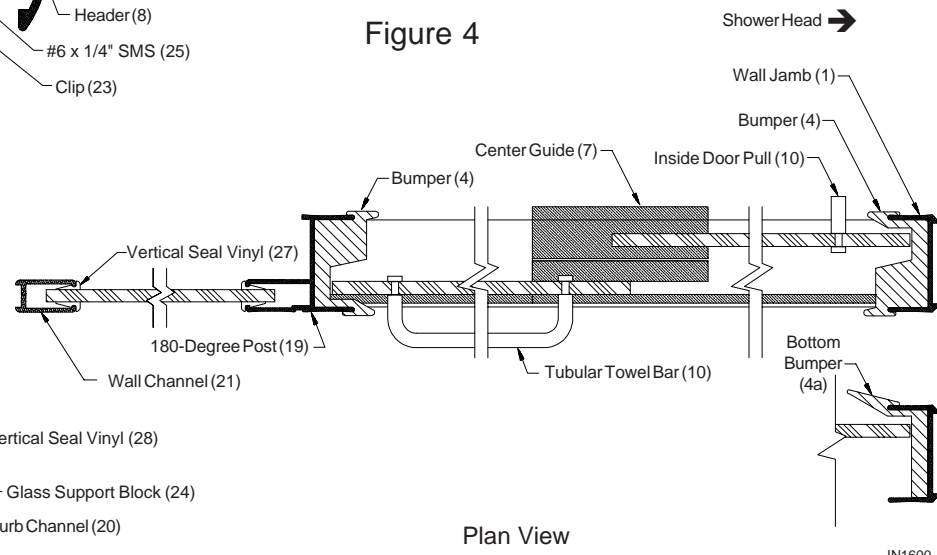
11. Place center guide (7) to center position on sill. Make sure the center guide is hooked into the slot position on the sill, then drill a hole using a #31 drill bit and fasten center guide to sill with the #6 x 3/8" screw (14) provided.

12. Close panels and adjust to align the vertical edge of panels with jamb and post. Using a 1/4" box-end wrench, loosen the screws on the rollers, but don't remove completely. When screws are loose, adjust panel by sliding the screw in the slot. Note: when screws are loose be sure to support panel so it does not fall and break. Adjust inside slider as low as possible to reduce the gap between bottom of slider and sill taking care that the glass does not drag on the track or center guide. Adjust for bowed glass by using the slotted hole in the jamb. Secure bumpers to the jambs using 6-32 x 1/2" screw (5).

13. To install towel bar (9), place nylon towel bar insert sleeves (13) into holes in the glass (17). Next, hold the tubular towel bar (9) against the hole in the glass with the nylon towel bar/pull washer (12) between the glass and the towel bar. Place a nylon towel bar/pull washer on the towel bar/pull screw (11) and secure towel bar in place on both ends. Install the pull the same way the towel bar was installed. Use hole in fastener to tighten (See Figure 3).



Elevation View



Plan View